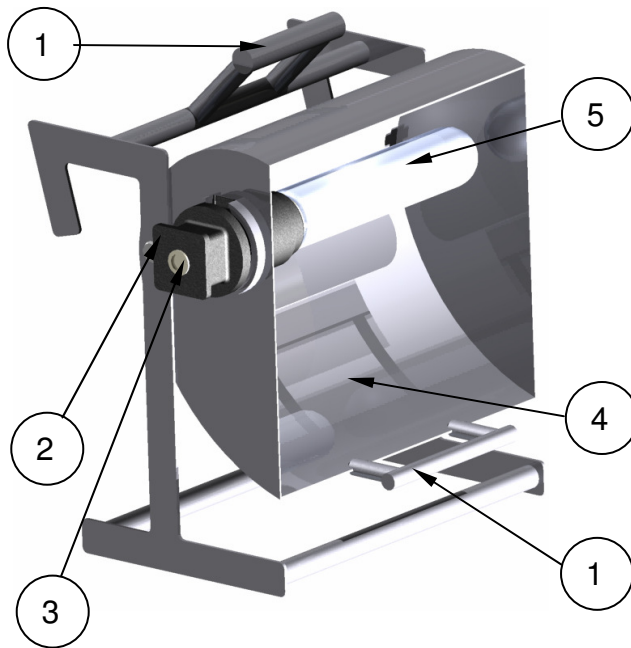


Cell Lighting

A standard product that may be readily adapted to suit the customers' lighting requirements. The unit is designed to tilt to allow optimum illumination from both free-standing or wall-mounted positions. Standard or bespoke mounting brackets may be used to allow free positioning of the lighting units within the operational area. Manipulator friendly handles are standard on all units, adjustable to requirements of the task (additional assemblies also available to suit in-cell/through-wall applications). Manipulator friendly twist and remove bulb holder mouldings ensures failed bulbs may be readily replaced without removal from the working area. Optional safety mesh may be fitted to protect both the bulb from damage and any personnel working close to the bulb. Proven track record in R5/C5 areas.



Item	Description
1	Manipulator Friendly Handles
2	Bulb Moulding
3	Standard Electrical Connector
4	Electro-polished Stainless Steel Reflector
5	SON-T 400W Bulb

Unit Designed for 240V (AC) SON-T 400W Bulb (External Ignition)

Design Specifications	
Angle of Operation	Approx. 75° Arc (+45° -30°)
Lumen	48,000 Typ.
Bulb Life	15,000 Hours Typ.
Supply Voltage	240V AC

Tel 0044 (0)1653 602847
 Fax 0044 (0)1653 697379
 Email lighting@jfnl.co.uk



A subsidiary of James Fisher and Sons Public Limited Company
 Registered Office Fisher House, Michaelson Road, Barrow-in-Furness, Cumbria. LA14 1HR
 Registered Number 5165202 Vat Registration Number 154552370