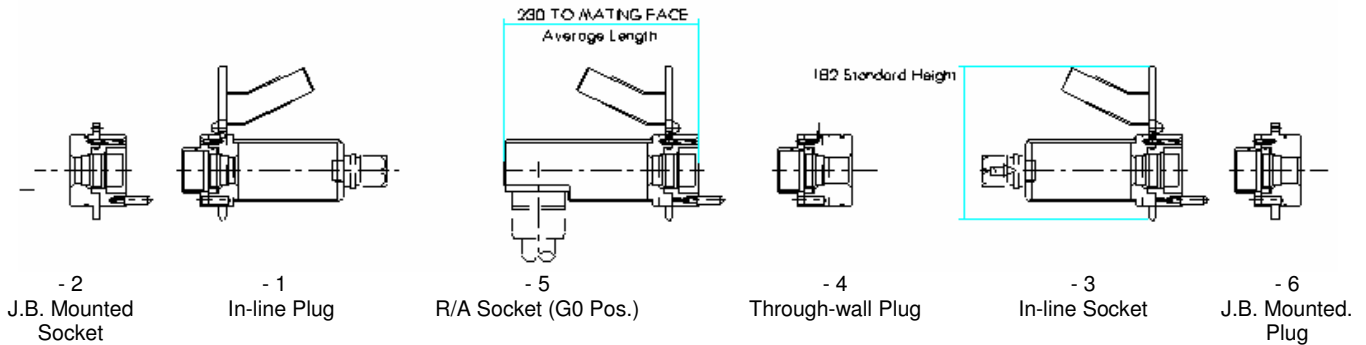




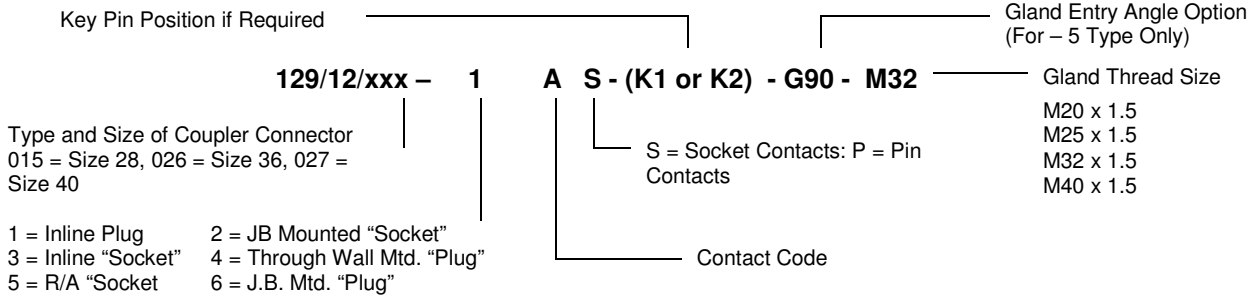
## Radiation Tolerant Coupler Connectors Data Sheet



Radiation tolerant to  $10^8$  Rads  
 Stainless steel housing  
 Waterproof to IP 66  
 Keyed to prevent incorrect connections  
 Alternate insert types can be incorporated  
 Part of a range of products designed for use by large power manipulators and MSMs  
 Adopted by Sellafield Ltd as an Intermediate Level Waste (ILW) standard product  
 Operating Voltage: 700 VDC/500 AC Vrms

Test Voltage: 2000 AC Vrms

### Ordering Code



Insert Type	No. Of Ways	Contacts	Contact Code
28-51	12	12 x 12 awg	C
28-12	26	26 x 16 awg	B
28-21	37	37 x 16 awg	A
36-9	31	14 x 16 awg 14 x 12 awg 2 x 8 awg 1 x 4 awg	F
36A70	16	11 x 8 awg 5 x 16 awg	E
36-7	47	40 x 16 awg 7 x 12 awg	D
36A46	27	27 x 12 awg	C
36-10	48	48 x 16 awg	B
36-8	47	46 x 16 awg 1 x 12 awg	A
40-56	85	85 x 16 awg	C
40A60	60	60 x 16 awg	B
40A38	38	38 x 12 awg	A

Contact Size	Max Current (at 20°C)	Available Crimp Bucket Sizes (Std Underlined)
16/16	22 Amps	16-12, <u>16-16</u> , 16-20
12	41 Amps	<u>12-12</u> , 12-16
8	74 Amps	<u>8-8</u>
4	135 Amps	<u>4-4</u>

Gland Entry Angle Options (C/W from G0, viewed from rear of connector)	
G0 = 0°	G90 = 90° <small>(Manipulator entry may be restricted)</small>
G180 = 180°	G270 = 270°



Ennerdale Mill Business Park, Egremont, Cumbria, CA22 2NL  
 Tel (0) 1946 823502 Fax (0) 1946 821065

A subsidiary of James Fisher and Sons Public Limited Company  
 Registered Number 5165202      Vat Registration Number 154552370

Registered Office Fisher House Michaelson Road Barrow-in-Furness Cumbria LA14 1HR