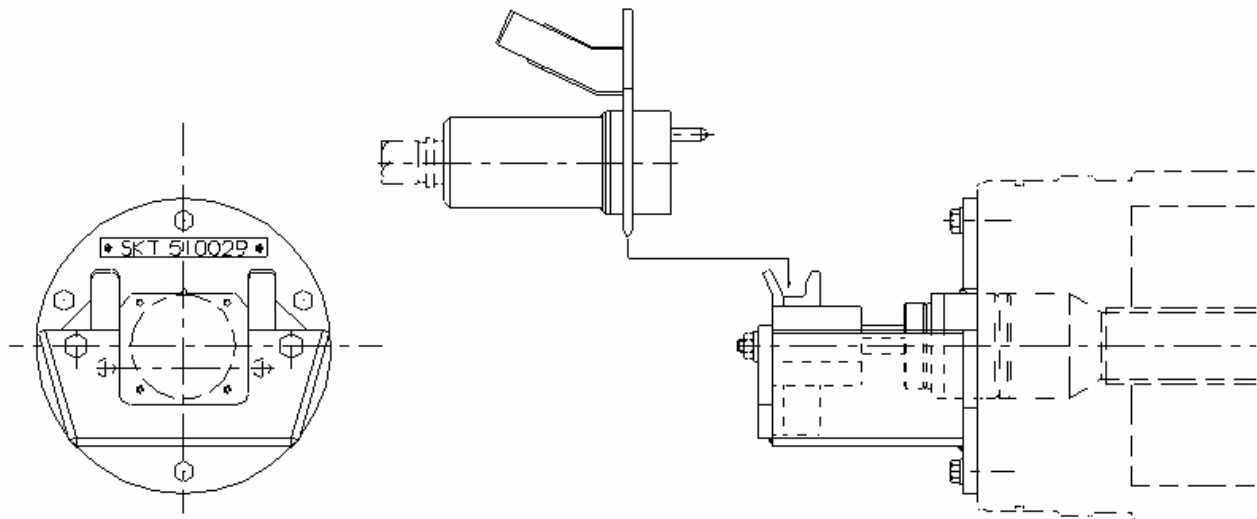




Through Wall Coupler Mechanism
Data Sheet



Manufactured from stainless steel
Through wall coupler suitable for use with James Fisher Nuclear Ltd and RMS Coupler Connectors
Interfaces with standard 270mm diameter through wall tube
Connectors are mated from out cell using the through wall tube mechanism
Part of a range of products designed for use by large power manipulators and MSMs
Adopted by Sellafield Ltd as an Intermediate Level Waste (ILW) standard product

Ordering Code **129/12/011**

Connectors Suitable for use with Coupler Assembly:

<u>Connector Part No.</u>	<u>Description</u>
129/12/012	High Power Connector
129/12/015	Size 28 Coupler Connector
129/12/026	Size 36 Coupler Connector
129/12/027	Size 40 Coupler Connector



BS EN ISO 9001 Certificate No. 1754

Ennerdale Mill Business Park, Egremont, Cumbria, CA22 2NL
Tel (0) 1946 823502 Fax (0) 1946 821065

A subsidiary of James Fisher and Sons Public Limited Company
Registered Number 5165202 Vat Registration Number 154552370

Registered Office Fisher House Michaelson Road Barrow-in-Furness Cumbria LA14 1HR