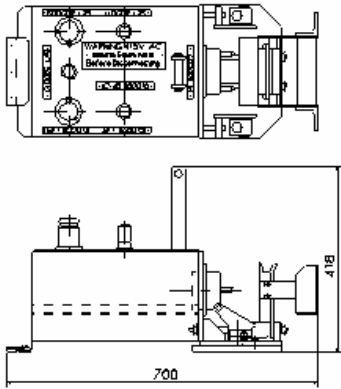
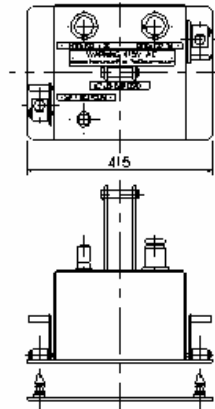




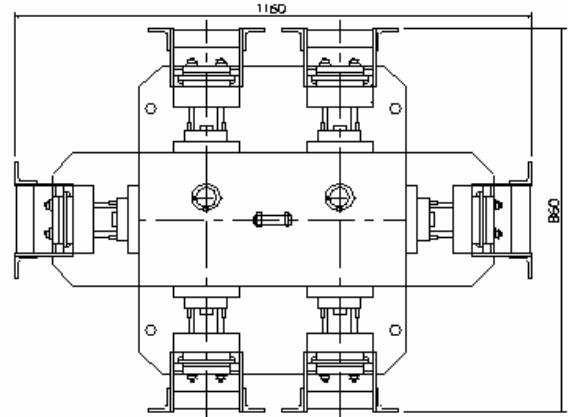
Remote Installable Junction Boxes Data Sheet



Single Coupler JB



Connector to Connector JB



Marshalling JB

Radiation tolerant to 10⁸ Rads
 Stainless steel housing
 Waterproof to IP 66
 Layout customised to individual footprint specific for application
 All junction boxes are specified with connector arrangements to suit application
 Can be sealed or manufactured with access panels if required
 Supplied wired to customer drawings
 Lowered in place with a power manipulator or crane and automatically latched to the base-plate. For removal the latch levers are raised and the box lifted from the location pins.
 Part of a range of products designed for use by large power manipulators and MSMs
 Adopted by Sellafield Ltd as an Intermediate Level Waste (ILW) standard product

Junction Box Type	Generic Part Number	Types Of Connectors Which Can be Fitted	Description
Connector To Gland Junction Box	129/12/023	129/12/003 129/12/010 129/12/009	The number, type and layout of the connectors are specific to application. Uses glands for entry or exit.
Connector To Connector	129/12/020	129/12/003 129/12/010 129/12/009	The number, type and layout of the connectors are specific to application.
Coupler	129/12/004	129/12/003 129/12/010 129/12/009 129/12/015 129/12/026 129/12/027	The number, type and layout of the connectors are specific to application. Typically fitted with only one coupler connector.
Marshalling	129/12/006	129/12/015 129/12/026 129/12/027 129/12/003 129/12/010 129/12/009	The number, type and layout of the connectors are specific to application. Typically this box would be fitted with multiple coupler connectors for main electrical distribution. It can be fitted with other connectors if required.

Please refer to product specific data sheets for individual connector options. For applications where standard junction box arrangements are not suitable our products can be tailored to suit individual plant requirements. Please contact us to discuss your application.



BS EN ISO 9001 Certificate No. 1754

Ennerdale Mill Business Park, Egremont, Cumbria, CA22 2NL
Tel (0) 1946 823502 Fax (0) 1946 821065

A subsidiary of James Fisher and Sons Public Limited Company
 Registered Number 5165202 Vat Registration Number 154552370

Registered Office Fisher House Michaelson Road Barrow-in-Furness Cumbria LA14 1HR